

Kawasaki
Let the good times roll.®

SIDE x SIDE
2016

TERYX4™
/LE

**NEW
MODELS**



METALLIC FLAT RAW GRAYSTONE (KRT800GGF)



BRIGHT WHITE
(KRT800FGF)



CANDY LIME GREEN
(KRT800GGF)



CANDY PERSIMMON RED
(KRT800GGF)



REALTREE XTRA® GREEN CAMO
(KRT800HGF)



The Kawasaki Teryx4™ allows the whole family to experience off-road exhilaration in comfort thanks to its well-appointed, spacious cabin.

KEY FEATURES:

- **AGGRESSIVE NEW STYLING**
- **POWERFUL, LIQUID-COOLED FUEL INJECTED V-TWIN ENGINE**
- **WIDE-TRACK CHASSIS**
- **INDEPENDENT FRONT AND REAR SUSPENSION**
- **FULLY AUTOMATIC TRANSMISSION**
- **SEALED REAR BRAKE SYSTEM**
- **TILTING HOOD**

LE MODEL ADDS:

- **SUN TOP**
- **NEW 14-INCH ALUMINUM WHEELS**
- **FULL LED HEADLIGHTS**

SPECIFICATIONS

KRT800/FGF/GGF/HGF

Engine Type	4-Stroke, Liquid-Cooled, SOHC, 4-Valve V-Twin
Displacement	783 cc
Bore & Stroke	85.0 x 69.0 mm
Maximum Torque	47.0 lb-ft @ 5,500 rpm
Compression Ratio	10.7:1
Fuel System	DFI with Two 36mm Mikuni Throttle Bodies
Transmission/Drive System	KAPS w/Centrifugal Clutch, Dual Range w/Reverse, 2WD/4WD, Shaft
Front Tire Size	AT26 x 9-12 (AT27 x 9-14 LE)
Rear Tire Size	AT26 x 11-12 (AT27 x 11-14 LE)
Wheelbase	85.7 in.
Front Brake Type	Hydraulic Discs
Rear Brake Type	Sealed Multi-Disc
Front Suspension Type	Dual A-Arms, Fox Podium Shocks w/Preload Adjustment; 24-Way Compression Damping Adjustment
Rear Suspension Type	Dual A-Arms, Fox Podium Shocks w/Preload Adjustment; 24-Way Compression Damping Adjustment
Front Wheel Travel	8.0 in.
Rear Wheel Travel	8.3 in.
Ground Clearance	11.2 in.
Fuel Tank Capacity	7.9 gal.
Track Front/Rear	51.0 in. / 50.2 in.
Length x Width x Height	125.4 x 61.6 x 77.8 (79.7 LE/Camo) in.
Bed Length x Width x Height	17.9 x 47.6 x 8.7
Bed Load Capacity	249 lb.
Towing Capacity	1,300 lb.
Tongue Weight Capacity	88 lb.
Curb Weight †	1,593.5 (FGF), 1,617.7 (GGF), 1,611.1 (HGF) lb.
Warranty	36 months
Kawasaki Protection Plus™	12 or 24 months

Specifications subject to change without notice.

^(KP) = See Kaw-Pedia section for more details.

* = Changes from previous model year.

† = Includes all necessary materials and fluids to operate correctly, full tank of fuel (more than 90% of capacity) and tool kit (if supplied).

NEW FOR 2016

- * *Redesigned front-end styling provides an aggressive new look.*
- * *New settings for the Fox Podium 2.0 shocks improve the ride.*
- * *Adjustable tilt steering column now standard for improved driver comfort and cabin accessibility. A new over-molded steering wheel further improves comfort.*
- * *Revised dash with more conveniently placed controls can easily accommodate up to four accessory switches, an accessory stereo, and has an added pocket for storage. New 2-piece design also facilitates adding accessories.*
- * *Three-position adjustable driver's seat can now be repositioned without using any tools.*
- * *LE model now fitted with stylish 14-inch aluminum wheels.*
- * *LE and Camo models now fitted with four LED headlights.*

ENGINE

Powerful V-Twin Engine

The TERYX4's revolutionary V-twin engine produces great power and low-end torque that, combined with the Kawasaki Automatic Powerdrive System (KAPS) continuously variable transmission with centrifugal clutch, is ideal for the trail or track.

- Exhaust pipe routing helps to lower temperatures in the engine compartment for a cooler cockpit.
- Muffler emits healthy exhaust note.
- Large airbox volume for better power characteristics. The air inlet is high under the hood for water/mud resistance, while a paper-type air filter is resistant to being clogged by dust.
- All-aluminum cylinders with Electrofusion^(KP) coating are durable and help the engine produce more power. The aluminum bores eliminate cast iron cylinder liners resulting in reduced weight.
- Weight is shaved from the engine by lightening grooves carved into the crank webs, using lightweight rare earth magnets and a small generator, and removing excess material wherever possible.
- V-twin design and oversquare bore and stroke help produce high torque with a broad, user-friendly power curve.
- 90° V-angle offset produces perfect primary balance to minimize vibration for rider comfort.



Digital Fuel Injection^(KP) (DFI[®])

- Fine-atomizing, 12-hole injectors help boost power and provide crisp throttle response.
- Digital fuel injection system with 32-bit CPU delivers quick throttle response and automatically adjusts the fuel mixture at altitude.
- A butterfly valve that rotates on ball bearings combined with a light return spring provides quick response and a light touch to operate.
- Precise fuel metering for easy starting, quick response, outstanding power, and better fuel mileage.

Kawasaki Automatic Power-Drive System^(KP) (KAPS)

- Utilizes a centrifugal wet clutch mounted on the crankshaft that provides precise control of power and smooth acceleration and reduces strain on the CVT belt since it is always engaged with the drive sheaves.
- Continuously Variable Transmission (CVT) is fully automatic.
- High-grade, durable CVT belt.
- Shifting timed in higher rpm range for snappy throttle response and hard acceleration.
- CVT intake duct provides high air flow for better CVT cooling.

Transmission with High, Low & Reverse

- CVT and transmission gear ratios matched to provide superb engine feel and engine braking characteristics. Electrically "Selectable".

2WD/4WD^(KP) Front Differential Lock

- Choose between 2WD and 4WD for changing terrain and applications with the flip of a switch.
- Front differential can now be locked by turning a switch for added convenience.

Excellent Fuel Range

- With a 7.9-gallon fuel tank and efficient fuel-injected V-twin engine, the Teryx4 has an extended range so that adventurers can travel deeper into the back-country without worrying about refueling.

CHASSIS

Double-X Chassis

- Large-diameter, thin-walled tubular frame has X-shaped cross braces for ideal torsional rigidity.
- High-quality construction requires almost no gussets.
- Short 85.7-inch wheelbase and 11.1-inch ground clearance helps the Teryx4 to negotiate obstacles that leave the competition high-centered.
- Short wheelbase also gives the Teryx4 a 6.7-foot turning radius for easier maneuverability on tight trails

Sturdy Cab Frame

- A-pillars made from high-tensile steel for maximum strength.
- Cab frame routed on outside edge of chassis to provide occupants better protection against brush and tree branches and provide more room inside cabin for increased passenger comfort.

Electric Power Steering

- The electric power steering system (EPS) reduces steering effort, especially at low speeds. Input from a vehicle speed sensor and torque sensor determine the amount of steering assistance required from the system's electric motor, so at slow speeds or when stopped assistance is greatest, then reduced as vehicle speed increases for superior handling.
- The EPS system also enhances ride comfort and control by acting as a damping system. When steering input is neutral, the inertia of the electric motor acts as a stabilizer. It also significantly reduces bump steer and kickback to the steering wheel caused by shocks to the wheels.

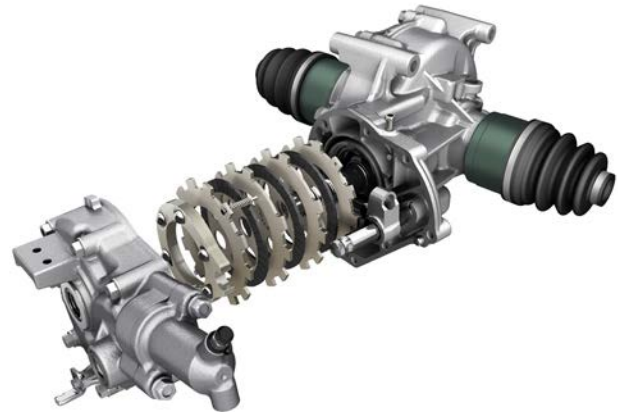


SUSPENSION

- Fitted with FOX Podium shocks with adjustable preload and compression damping for superb suspension action and increased ride comfort.
- Built to Kawasaki specifications to match the Teryx4's premium handling requirements.
- Long A-arms help increase wheel travel while minimizing camber change as the suspension is compressed for more precise steering control.
- Constant velocity joints at the front wheels have a wide operating range for durability. The joints can also be independently disassembled to simplify maintenance.

Sealed Rear Brake System^(KP)

- Multi-disc rear brake system is totally enclosed within the frame-mounted rear gear case; there are no large discs that can be vulnerable to damage in rugged terrain.
- Operates in a sealed oil bath so that the brake is unaffected by water, mud, dust and debris.
- Compact design provides more ground clearance at the rear end.



ERGONOMICS

Spacious Cockpit

- Tall center console increases engine compartment volume that, combined with exhaust routing, helps reduce cockpit temperatures.
- Sound dampers on the inside of the seat side panels reduce engine noise in the cockpit.
- The Teryx4 makes excellent use of its space so that occupants fit comfortably.
- Easy-to-operate doors allow quick entry and exit while providing protection from mud and debris.
- High-back bucket seats have firm base and softer back for maximum comfort. Seat material resists cold and maintains excellent elasticity.
- Rear seats are slightly higher than front seats to provide passengers with a wider, more relaxing view.
- Cup holders for each occupant.
- DC sockets front and rear for added convenience.
- Passenger-assist grips feature a pole-type grip and built-in handle on cab frame for front passenger and full-width grab rail for the rear passengers.
- Auto-style dash with warning indicators.

Digital Multi-Function Meter

- Speedometer
- Dual Trip Meters
- Fuel Gauge
- Clock
- Hour Meter
- Parking Brake Indicator



ERGONOMICS CONTINUED

Cargo Bed

- Flat, square cargo bed holds up to 249 pounds and has ample storage for a standard large-size cooler, gas can or other leisure equipment.
- Shorter rear wall provides easier loading.

Front Hood

- Provides easy access to coolant reservoir, radiator and front suspension components.

Rugged Bodywork

- Thermoplastic olefin bodywork has a high gloss finish for great looks and is more scratch resistant than polyethylene plastic so it stays looking good longer.
- Advanced styling with inset headlights evoke speed and power.

Kawasaki Genuine Accessories

- See the current applicable Kawasaki accessory catalog or www.kawasaki.com for all of the latest Kawasaki Genuine Accessories available for this model.

COLORS



METALLIC FLAT RAW GRAYSTONE (KRT800GGF)



BRIGHT WHITE (KRT800FGF)

COLORS CONTINUED



CANDY LIME GREEN (KRT800GGF)



CANDY PERSIMMON RED (KRT800GGF)



REALTREE XTRA® GREEN CAMO (KRT800HGF)

KAWASAKI GENUINE ACCESSORIES

See the current applicable Kawasaki accessory catalog, click on links below or visit www.kawasaki.com for all of the latest Kawasaki Genuine Accessories available for this model.

TERYX4™ LE MODELS



Soft Cabin



Full Windshield



Plastic Hard Top



Brush Guard



Cargo/Cooler Box



Gun Boot IV Mount



Snow Plow



Warn RT30 Winch



Winch Mount



DIGITAL FUEL INJECTION

Features:

An on-board, digital microprocessor reads various inputs from the engine, like ignition timing, rpm, and throttle position, and from the environment, like air temperature and pressure. It uses the information to decide the precise amount of fuel that the engine needs at that moment, and injects it into the intake tract.

Benefits:

The fuel injection system feeds the engine just the amount of fuel it needs, when it needs it. No extra fuel is wasted, nor is the engine forced to run too lean. The result is excellent fuel economy and, combined with power and torque when the rider demands it. The engine runs smoothly and powerfully from idle to top speed.

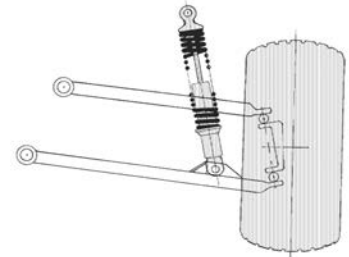
DOUBLE WISHBONE SUSPENSION

Features:

Double wishbone front suspensions have longer wheel travel with less camber change. As the wheel is pushed up when it rolls over a bump, the lower wishbone pivots up and at the same time the upper wishbone moves up and pushes the hub carrier out. This keeps the front axle parallel to the ground, letting the tire maintain traction for better steering.

Benefits:

Similar to suspensions on sports cars, the double wishbone suspension keeps the tires and chassis in the right place at the right time for good cornering and steering control.



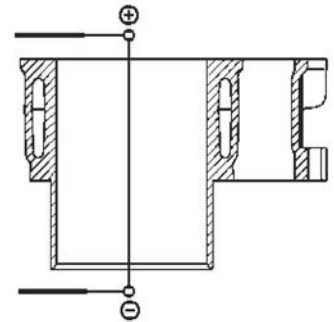
ELECTRICALLY SELECTABLE 2WD/4WD

Features:

A switch on the right side of the handlebar allows the operator to choose between two- and four-wheel drive when the vehicle is stopped.

Benefits:

Electrically "selectable" 2WD/4WD system allows easy changing between drive systems to suit changing terrain and applications.



ELECTROFUSION

Features:

The electrofusion treatment starts with the placement of the aluminum cylinder in a heated vacuum chamber. Fine wires of molybdenum and steel are suspended in the bore and a high voltage is passed through them. The resulting metal particles bond to the cylinder in a hard, porous film. Applied directly to the aluminum cylinder, electrofusion transfers heat rapidly and is very light. Being porous, the electrofusion cylinder holds oil so the piston always rides on a film of oil for better sealing and less wear.

Benefits:

Electrofusion resists wear and seizure. Rapid heat transfer permits higher compression ratios for increased power. It allows the use of closer tolerances and leaner carburetion for better fuel economy and lower exhaust emissions.

ELECTRIC POWER STEERING (EPS)

Features:

There are three basic components of the EPS system; a power assist unit on the steering shaft assembly, an ECU and speed sensor.

Vehicle speed is calculated by the ECU using signals from the speed sensor. Once the ECU makes its calculations, it controls the amount and direction of current supplied to the power assist unit's reversible motor. The motor runs a worm gear that turns a larger drive gear, which is made of a plastic composite to reduce mechanical shock and operational noise in the actuator.

Within the actuator the input shaft from the steering wheel and output shaft to the steering gear assembly are connected by a torsion bar that allows the shafts to rotate at different rates, depending on the amount of torque applied to the input shaft or rotational force on the output shaft generated by the steering assembly. The input shaft passes through the torque sensor and as the input/output shafts rotate, the torsional twist between the shafts move the sensor's rotor up or down. This changes the magnetic field acting on the right and left turn coils. The ECU senses this change of voltage on the coils and adjusts the amount of current to the motor.

Benefits:

The power assisted steering reduces steering effort to ease driver fatigue, especially when the four-wheel drive mode is engaged. Since the EPS is a variable-assist system it provides increased assistance at low speeds, where it's needed most, while reducing the assistance at higher vehicle speeds. The electric motor's inertia also significantly reduces bump steer and kickback to the steering wheel caused by shocks to the wheels for a more comfortable and controlled ride.

KAWASAKI AUTOMATIC POWER-DRIVE SYSTEM (KAPS)/ CONTINUOUSLY VARIABLE TRANSMISSION (CVT)

Features:

An automatic transmission system featuring a torque converter that has two variable-diameter pulleys. A large V-belt transmits power from the crankshaft mounted pulley to the pulley on the transmission input shaft. The crankshaft pulley increases in diameter as engine RPM increases applying more load to the engine. The input shaft pulley decreases in diameter as the torque required to turn the drive wheels decreases.

Benefits

The KAPS eliminates shifting and automatically keeps the engine in the most efficient range for any selected vehicle speed or load terrain, making the vehicle easy to operate.

SEALED REAR BRAKE SYSTEM

Features:

The rear wet brake is a feature commonly found in heavy equipment design. The sealed, multi-disc system has long-life discs and is sealed in the differential housing where it operates in an oil bath.

Benefits:

Not only does the wet brake provide exceptional stopping power, but because it is a sealed system it is protected from water, mud, dust and debris. Brake life is extraordinary and there is minimal maintenance. The compact design also provides added ground clearance at the rear axle.